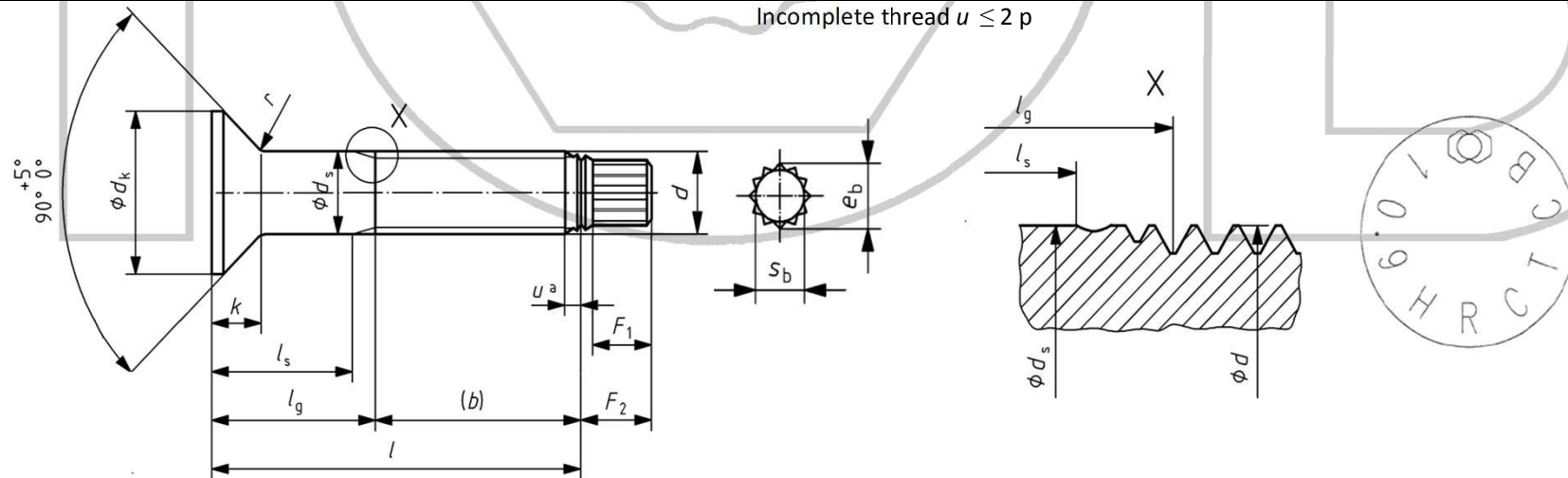


Dimensions of standard HRC TCBs to EN 14399-10

| Thread d | | M12 | M16 | M20 | M22 | M24 | M27 | M30 | M36 |
|------------|---------------------------|-------|-------|-------|-------|-------|-------|-------|-------|
| p | | 1,75 | 2,0 | 2,5 | 2,5 | 3,0 | 3,0 | 3,5 | 4,0 |
| b | $\leq 125\text{mm}$ | 30 | 38 | 46 | 50 | 54 | 60 | 66 | 78 |
| | $> 125 \leq 200\text{mm}$ | - | 44 | 52 | 56 | 60 | 66 | 72 | 84 |
| | $> 200\text{mm}$ | - | - | 65 | 69 | 73 | 79 | 85 | 97 |
| d_s | max | 12.7 | 16.7 | 20.84 | 22.84 | 24.84 | 27.84 | 30.84 | 37 |
| | min | 11.3 | 15.3 | 19.16 | 21.16 | 23.16 | 26.16 | 29.16 | 35 |
| d_k | max | 24 | 32 | 40 | 44 | 48 | 54 | 60 | 72 |
| | min | 23.16 | 31.16 | 39 | 43 | 47 | 53 | 58.8 | 70.8 |
| k | nom | 8 | 10 | 13 | 14 | 16 | 17.5 | 19.5 | 23 |
| | max | 8.75 | 10.75 | 13.9 | 14.9 | 16.9 | 18.4 | 20.55 | 24.05 |
| | min | 7.25 | 9.25 | 12.1 | 13.1 | 15.1 | 16.6 | 18.45 | 21.95 |
| r | max | 1.6 | 1.6 | 2 | 2 | 2 | 2.5 | 2.5 | 2.5 |
| | min | 1.2 | 1.2 | 1.5 | 1.5 | 1.5 | 2 | 2 | 2 |
| F1 | min | 11 | 13 | 15 | 15.5 | 16 | 19 | 21 | 25 |
| F2 | max | 16 | 18 | 20 | 21 | 21.5 | 24 | 26 | 31 |
| S_b | max | 8 | 11.6 | 14.4 | 15.7 | 17.1 | 19.3 | 21.4 | 25.7 |
| | min | 7.4 | 11 | 13.8 | 15.1 | 16.5 | 18.7 | 20.8 | 25.1 |
| e_b | min | 8.36 | 12.43 | 15.6 | 17.06 | 18.65 | 21.13 | 23.5 | 28.5 |

U^a



Incomplete thread $u \leq 2p$