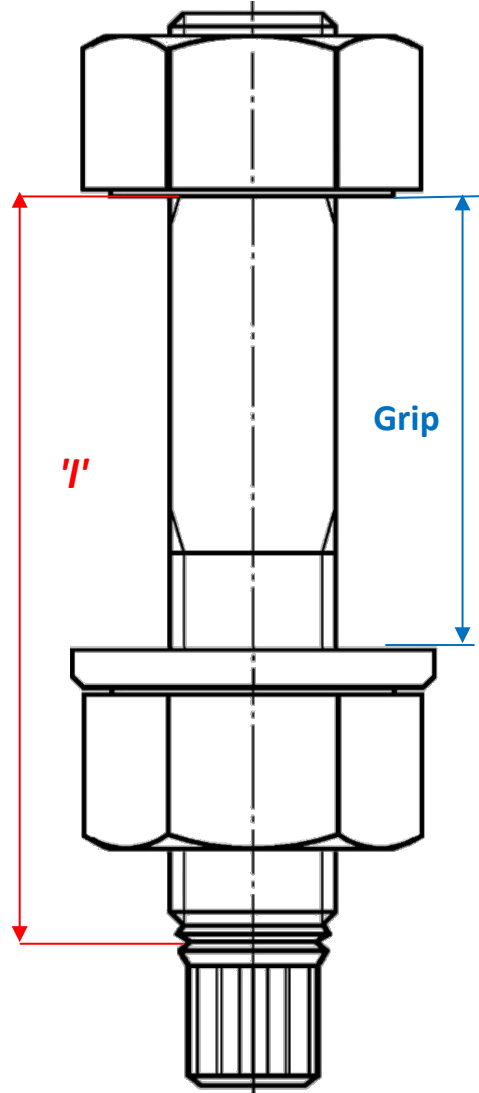


Grip Tolerance Chart for TCB Studs (1xRH HRD nut, 1xLH HRD Nut & 1xWasher) from In-House Production and a Standard Shear Wrench

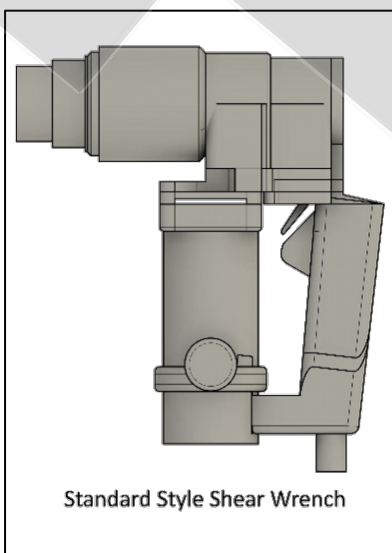


PRODUCT CODE	Ø x "l"	GRIP	
		MIN	MAX
100501720060	M20 X 60	12	31
100501720070	M20 X 70	22	41
100501720080	M20 X 80	32	51
100501720090	M20 X 90	42	61
100501720100	M20 X 100	52	71
100501720110	M20 X 110	62	81
100501720120	M20 X 120	72	91
100501720130	M20 X 130	82	101
100501720140	M20 X 140	92	111
100501720150	M20 X 150	102	121
100501720160	M20 X 160	112	131
100501720170	M20 X 170	122	141
100501720180	M20 X 180	132	151
100501720190	M20 X 190	142	161
100501720200	M20 X 200	152	171
100501720210	M20 X 210	162	181
100501720220	M20 X 220	172	191
100501720230	M20 X 230	182	201
100501720240	M20 X 240	192	211
100501720250	M20 X 250	202	221
100501720260	M20 X 260	212	231
100501720270	M20 X 270	222	241
100501720275	M20 X 275	227	246

PRODUCT CODE	Ø x "l"	GRIP	
		MIN	MAX
100501724080	M24 X 80	25	45
100501724090	M24 X 90	35	55
100501724100	M24 X 100	45	65
100501724110	M24 X 110	55	75
100501724120	M24 X 120	65	85
100501724130	M24 X 130	75	95
100501724140	M24 X 140	85	105
100501724150	M24 X 150	95	115
100501724160	M24 X 160	105	125
100501724170	M24 X 170	115	135
100501724180	M24 X 180	125	145
100501724190	M24 X 190	135	155
100501724200	M24 X 200	145	165
100501724210	M24 X 210	155	175
100501724220	M24 X 220	165	185
100501724230	M24 X 230	175	195
100501724240	M24 X 240	185	205
100501724250	M24 X 250	195	215
100501724260	M24 X 260	205	225
100501724270	M24 X 270	215	235
100501724280	M24 X 280	225	245
100501724290	M24 X 290	235	255
100501724300	M24 X 300	245	265
100501724310	M24 X 310	255	275
100501724320	M24 X 320	265	285

PRODUCT CODE	Ø x "l"	GRIP	
		MIN	MAX
100501730080	M30 X 80	19	38
100501730090	M30 X 90	29	48
100501730100	M30 X 100	39	58
100501730110	M30 X 110	49	68
100501730120	M30 X 120	59	78
100501730130	M30 X 130	69	88
100501730140	M30 X 140	79	98
100501730150	M30 X 150	89	108
100501730160	M30 X 160	99	118
100501730170	M30 X 170	109	128
100501730180	M30 X 180	119	138
100501730190	M30 X 190	129	148
100501730200	M30 X 200	139	158
100501730210	M30 X 210	149	168
100501730220	M30 X 220	159	178
100501730230	M30 X 230	169	188
100501730240	M30 X 240	179	198
100501730250	M30 X 250	189	208
100501730260	M30 X 260	199	218
100501730270	M30 X 270	209	228
100501730280	M30 X 280	219	238
100501730290	M30 X 290	229	248
100501730300	M30 X 300	239	258
100501730310	M30 X 310	249	268
100501730315	M30 X 315	254	273

- Notes:**
1. TCB Studs are bespoke made to order items and are not ex-stock.
 2. Call or email for prices.
 3. Lead time TBA.
 4. Please quote Product Code when ordering
 5. Grip length can still be adjusted by the use of additional washers - see EN 1090-2 clause 8.2.4 and Table 16.



PRODUCT CODE	Ø x "l"	GRIP	
		MIN	MAX
100501722070	M22 X 70	18	39
100501722080	M22 X 80	28	49
100501722090	M22 X 90	38	59
100501722100	M22 X 100	48	69
100501722110	M22 X 110	58	79
100501722120	M22 X 120	68	89
100501722130	M22 X 130	78	99
100501722140	M22 X 140	88	109
100501722150	M22 X 150	98	119
100501722160	M22 X 160	108	129
100501722170	M22 X 170	118	139
100501722180	M22 X 180	128	149
100501722190	M22 X 190	138	159
100501722200	M22 X 200	148	169
100501722210	M22 X 210	158	179
100501722220	M22 X 220	168	189
100501722230	M22 X 230	178	199
100501722240	M22 X 240	188	209
100501722250	M22 X 250	198	219
100501722260	M22 X 260	208	229
100501722270	M22 X 270	218	239
100501722280	M22 X 280	228	249
100501722290	M22 X 290	238	259
100501722300	M22 X 300	248	269
100501722310	M22 X 310	258	279

PRODUCT CODE	Ø x "l"	GRIP	
		MIN	MAX
100501727080	M27 X 80	18	42
100501727090	M27 X 90	28	52
100501727100	M27 X 100	38	62
100501727110	M27 X 110	48	72
100501727120	M27 X 120	58	82
100501727130	M27 X 130	68	92
100501727140	M27 X 140	78	102
100501727150	M27 X 150	88	112
100501727160	M27 X 160	98	122
100501727170	M27 X 170	108	132
100501727180	M27 X 180	118	142
100501727190	M27 X 190	128	152
100501727200	M27 X 200	138	162
100501727210	M27 X 210	148	172
100501727220	M27 X 220	158	182
100501727230	M27 X 230	168	192
100501727240	M27 X 240	178	202
100501727250	M27 X 250	188	212
100501727260	M27 X 260	198	222
100501727270	M27 X 270	208	232
100501727280	M27 X 280	218	242
100501727290	M27 X 290	228	252
100501727300	M27 X 300	238	262
100501727310	M27 X 310	248	272
100501727315	M27 X 315	253	277

PRODUCT CODE	Ø x "l"	GRIP	
		MIN	MAX
100501736100	M36 X 100	22	50
100501736110	M36 X 110	32	60
100501736120	M36 X 120	42	70
100501736130	M36 X 130	52	80
100501736140	M36 X 140	62	90
100501736150	M36 X 150	72	100
100501736160	M36 X 160	82	110
100501736170	M36 X 170	92	120
100501736180	M36 X 180	102	130
100501736190	M36 X 190	112	140
100501736200	M36 X 200	122	150
100501736210	M36 X 210	132	160
100501736220	M36 X 220	142	170
100501736230	M36 X 230	152	180
100501736240	M36 X 240	162	190
100501736250	M36 X 250	172	200
100501736260	M36 X 260	182	210
100501736270	M36 X 270	192	220
100501736280	M36 X 280	202	230
100501736290	M36 X 290	212	240
100501736300	M36 X 300	222	250
100501736310	M36 X 310	232	260
100501736320	M36 X 320	242	270
100501736330	M36 X 330	252	280
100501736340	M36 X 340	262	290
100501736350	M36 X 350	272	300
100501736360	M36 X 360	282	310

t: +44 (0) 1978 661122
 e: info@tcbolts.com
 w: tcbolts.com

Rev 3
 © TCB Ltd 2024

*All measurements provided in mm