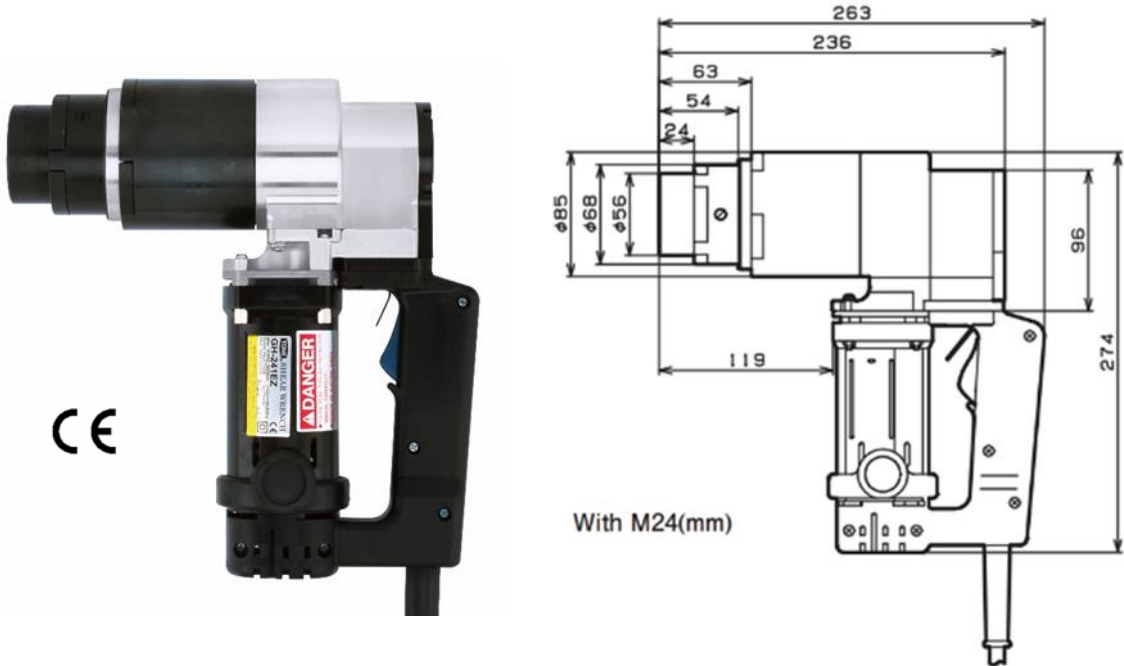




GH240 Electric Shear Wrench



Adaptable Bolt Diameter

Metric	M16	M20	M22	M24
Imperial	5/8"	3/4"	7/8"	1"

Extension Sockets

Metric	M22x200	M24x200	100mm Extension Holder
Imperial			

Specifications

Model	GH241EZ	GH242EZ
Rated Voltage (Single Phase)	110-120V	220-230V
Max. Current	11A	5.5A
Rated Input Power	1200W	
Frequency	50-60 Hz	
Rated Max. Torque	950 Nm (701 ft-lbs)	
No-Load Speed	10 rpm	
Weight	7.5 kg (16.5 lb)	
Protection Class	Class II (Double Insulation)	