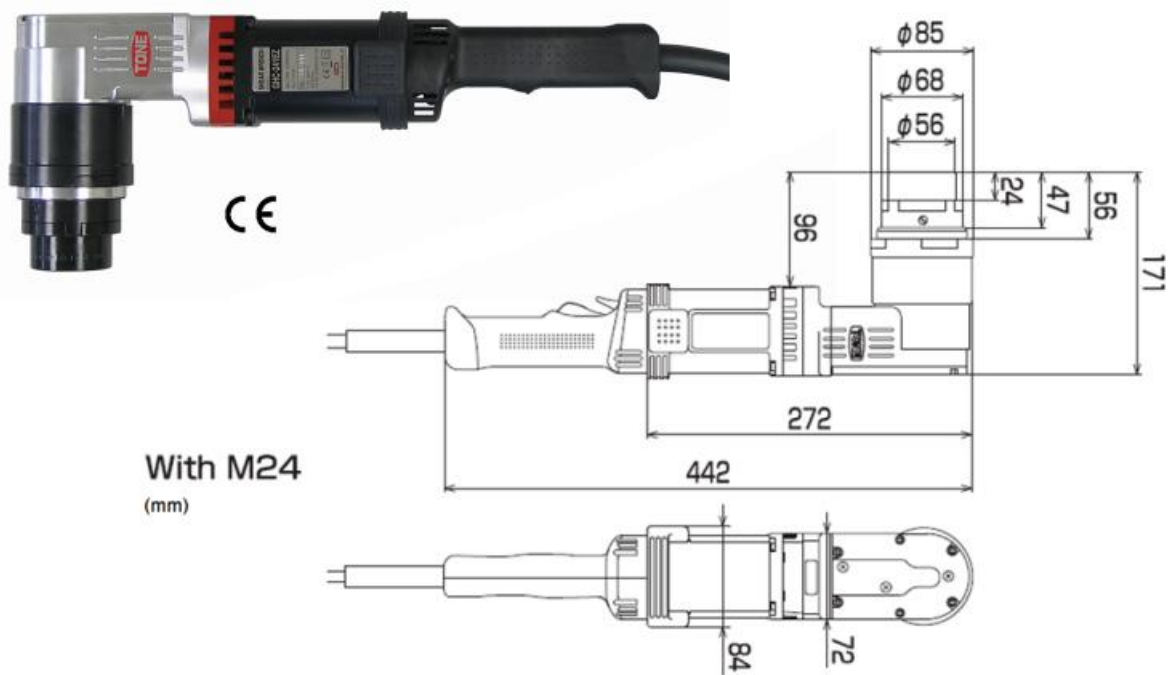




GHC240 Electric Corner Shear Wrench



With M24
(mm)

Adaptable Bolt Diameter

Metric	M16	M20	M22	M24
Imperial	5/8"	3/4"	7/8"	1"

Extension Sockets

Metric	M22x200	M24x200	100mm Extension Holder
Imperial			

Specifications

Model	GHC241EZ	GHC242EZ
Rated Voltage (Single Phase)	110-120V	220-230V
Max. Current	13.5A	7A
Rated Input Power	1650W	
Frequency	50-60 Hz	
Rated Max. Torque	1250 Nm (922 ft-lbs)	
No-Load Speed	11 rpm	
Weight	6.8 kg (15 lb)	
Protection Class	Class II (Double Insulation)	