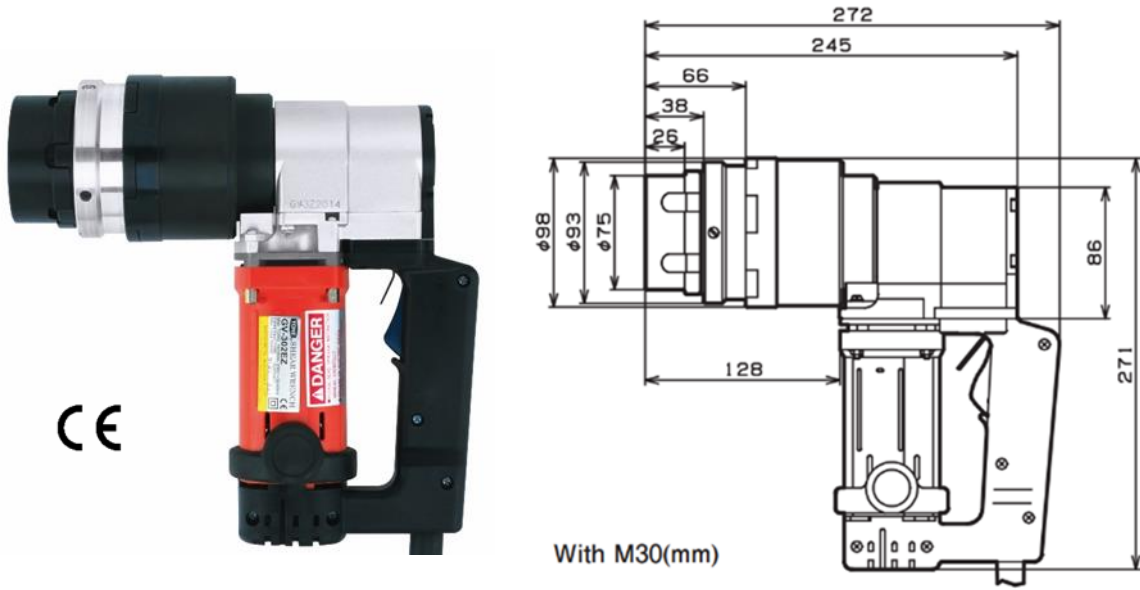




# GV300 Electric Shear Wrench



## Adaptable Bolt Diameter

|          |        |     |
|----------|--------|-----|
| Metric   | M27    | M30 |
| Imperial | 1-1/8" |     |

## Extension Sockets

|        |         |         |
|--------|---------|---------|
| Metric | M27x200 | M30x200 |
|--------|---------|---------|

## Specifications

| Model                        | GV301EZ                      | GV302EZ  |
|------------------------------|------------------------------|----------|
| Rated Voltage (Single Phase) | 110-120V                     | 220-230V |
| Max. Current                 | 11A                          | 5.5A     |
| Rated Input Power            | 1200W                        |          |
| Frequency                    | 50-60 Hz                     |          |
| Rated Max. Torque            | 1900 Nm (1402 ft-lbs)        |          |
| No-Load Speed                | 5 rpm                        |          |
| Weight                       | 8.4 kg (18.5 lb)             |          |
| Protection Class             | Class II (Double Insulation) |          |