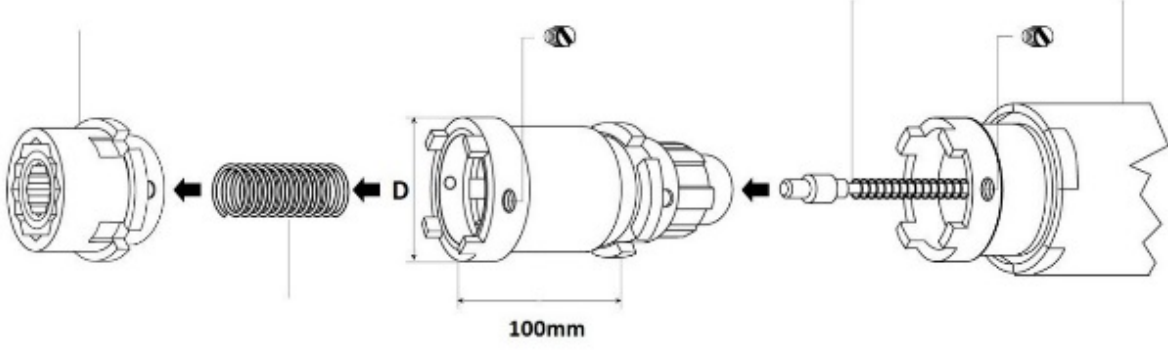


100mm Extension Holder



Model	Bolt Ø	D (mm)	L (mm)
GM221EZ	M16	57	100
	M20		
	M22		
GH241EZ	M22	68	100
	M24		