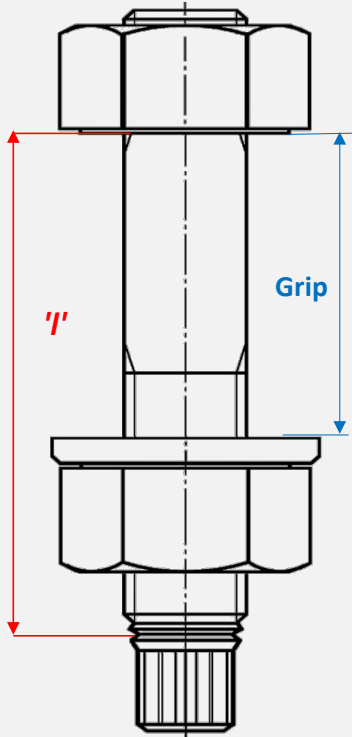


Grip Tolerances for TCB Stud assemblies (Stud + 2 x HRD Nuts + 1 x Washer) from in-house production and installed using a Standard Shear Wrench



PRODUCT CODE	Ø x "l"	GRIP	
		MIN	MAX
100501720060	M20 X 60	12	31
100501720080	M20 X 80	32	51
100501720100	M20 X 100	52	71
100501720120	M20 X 120	72	91
100501720140	M20 X 140	92	111
100501720160	M20 X 160	112	131
100501720180	M20 X 180	132	151
100501720200	M20 X 200	152	171
100501720220	M20 X 220	172	191
100501720240	M20 X 240	192	211
100501720260	M20 X 260	212	231
100501720275	M20 X 275	227	246

PRODUCT CODE	Ø x "l"	GRIP	
		MIN	MAX
100501722070	M22 X 70	18	39
100501722090	M22 X 90	38	59
100501722110	M22 X 110	58	79
100501722130	M22 X 130	78	99
100501722150	M22 X 150	98	119
100501722170	M22 X 170	118	139
100501722190	M22 X 190	138	159
100501722210	M22 X 210	158	179
100501722230	M22 X 230	178	199
100501722250	M22 X 250	198	219
100501722270	M22 X 270	218	239
100501722290	M22 X 290	238	259
100501722310	M22 X 310	258	279

PRODUCT CODE	Ø x "l"	GRIP	
		MIN	MAX
100501727080	M27 X 80	18	42
100501727100	M27 X 100	38	62
100501727120	M27 X 120	58	82
100501727140	M27 X 140	78	102
100501727160	M27 X 160	98	122
100501727180	M27 X 180	118	142
100501727200	M27 X 200	138	162
100501727220	M27 X 220	158	182
100501727240	M27 X 240	178	202
100501727260	M27 X 260	198	222
100501727280	M27 X 280	218	242
100501727300	M27 X 300	238	262
100501727315	M27 X 315	253	277

PRODUCT CODE	Ø x "l"	GRIP	
		MIN	MAX
100501736100	M36 X 100	22	50
100501736120	M36 X 120	42	70
100501736140	M36 X 140	62	90
100501736160	M36 X 160	82	110
100501736180	M36 X 180	102	130
100501736200	M36 X 200	122	150
100501736220	M36 X 220	142	170
100501736240	M36 X 240	162	190
100501736260	M36 X 260	182	210
100501736280	M36 X 280	202	230
100501736300	M36 X 300	222	250
100501736320	M36 X 320	242	270
100501736340	M36 X 340	262	290
100501736360	M36 X 360	282	310

PRODUCT CODE	Ø x "l"	GRIP	
		MIN	MAX
100501724080	M24 X 80	25	45
100501724100	M24 X 100	45	65
100501724120	M24 X 120	65	85
100501724140	M24 X 140	85	105
100501724160	M24 X 160	105	125
100501724180	M24 X 180	125	145
100501724200	M24 X 200	145	165
100501724220	M24 X 220	165	185
100501724240	M24 X 240	185	205
100501724260	M24 X 260	205	225
100501724280	M24 X 280	225	245
100501724300	M24 X 300	245	265
100501724320	M24 X 320	265	285

PRODUCT CODE	Ø x "l"	GRIP	
		MIN	MAX
100501730080	M30 X 80	14	38
100501730100	M30 X 100	34	58
100501730120	M30 X 120	54	78
100501730140	M30 X 140	74	98
100501730160	M30 X 160	94	118
100501730180	M30 X 180	114	138
100501730200	M30 X 200	134	158
100501730220	M30 X 220	154	178
100501730240	M30 X 240	174	198
100501730260	M30 X 260	194	218
100501730280	M30 X 280	214	238
100501730300	M30 X 300	234	258
100501730315	M30 X 315	249	273

Notes:

1. TCB Studs are bespoke made to order items and are not ex-stock.
2. Call or email for prices.
3. Lead time TBA.
4. Please quote Product Code when ordering

Tension Control Bolts Ltd
T: +44 (0) 1978 661122
E: info@tcbolts.com
W: www.tcbolts.com